

77519

Katrin Plastic Dispenser For System Toilet Paper Roll, Black

Katrin System Toilet Paper Dispenser in black offers a sleek, high-capacity solution for busy commercial washrooms. Its dual-roll mechanism ensures continuous availability, while the zero-waste design maximizes efficiency. With up to 1,836 sheets per refill and easy top-up functionality, it reduces maintenance time and supports sustainable facility management. The black matt finish adds a modern touch.



- Dual-roll capacity with automatic drop-down ensures uninterrupted use, and every roll is used to the end with no paper wasted
- Transparent side panels make it easy to check paper levels at a glance, and top-up refilling means you can add new rolls anytime, making maintenance flexible and efficient
- Ergonomic and inclusive design for all users, including those with limited mobility
- Adjustable brake system allows you to fine-tune the roll tension for smoother dispensing, ensuring ease of use for all visitors and adapting to different user needs
- Stylish black finish matches modern washroom aesthetics
- Secure and durable – lockable

ISO 9001 **ISO 14001**

Country of Origin: Romania

Product

Length/Depth	172 mm	Colour	Black
Width	152 mm	Gross weight	0.896 kg
Height	312 mm		

Trading unit

Length/Depth 318 mm

Gross weight 1.08 kg

EAN



Width 154 mm

Consumer packs/
trading unit 1

Height 187 mm

Pallet

Length/Depth 1,200 mm

Gross weight 131.31 kg

EAN

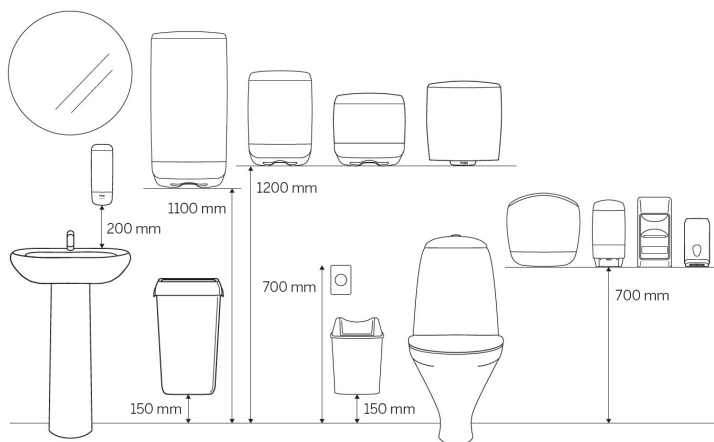


Width 800 mm

Trading units / pallet 102

Height 1,272 mm

Measurements and Installing



Related products

Selection from all countries. Please refer to web page for market-specific availability.



103424

Katrin Dispenser Toilet Paper Roll

System 800 Sheets 2-Ply



87365

Katrin Plus Dispenser Toilet Paper Roll

System 684 Sheets 2-Ply



66940

Katrin Plus Dispenser Toilet Paper Roll

System 800 Sheets 2-Ply

This leaflet is provided for information purposes only and no liability of any kind is accepted for potential errors or inaccuracies. Metsä Tissue reserves the right to alter its products, product information and product range without any notice.